

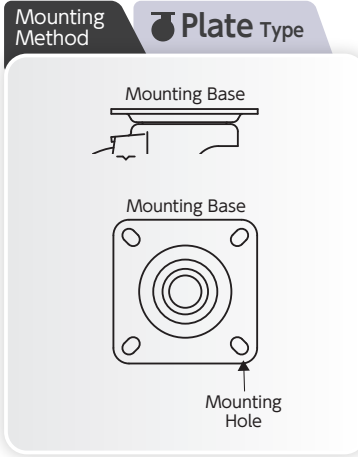
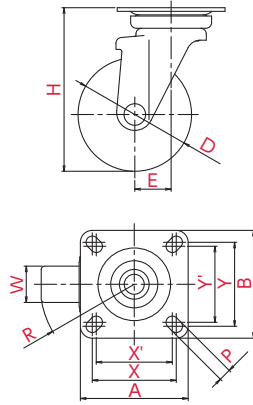
# J Type $\phi$ 75 100 130 150 200 250

● Swivel    🔄 Plate Type

BZP (Brilliant Zinc Plating)    CP (Chromium Plating)  
 Single Bearing    Double Bearing  
 Single Stopper    Double Stopper



UWJ-150



- Usage
- Flat Trolley
  - Hand Trolley
  - Server Rack
  - Roll Box Pallet
  - Towing Trolley
  - Office Chair
  - Machinery and equipment
  - Copying Machine
  - Furniture
  - Display Rack
  - Refrigeration and cold storage showcase
  - Others

▼ Use together with Fixed

The picture is a typical product image.

Order Example: **UW** | **J** | **-** | **150**  
Wheel Type    Bracket Type    Wheel Diameter



Wheel Diameter (D[mm])	Product No.	Wheel Material	Load Capacity [daN(kgf)]	Wheel Width (W[mm])	Mounting Height (H[mm])	Mounting Base (AxB[mm])	Mounting Dimensions (XxY (X'xY') [mm])	Hole Diameter (P[mm])	Eccentricity (E[mm])	Turning Radius (R[mm])	
75	WJ-75	Rubber(Including B)	80(81.6)	32	103	82x82	63x63	9.5	26	64	
	UWJ-75	PU(Including B)	120(122.4)								
	GUJ-75		100(102.0)								
100	WJ-100	Rubber(Including B)	120(122.4)	32	144	95x95	74x74(67x67)	11	32	82	
	NRJ-100	Conductive Rubber(Including B)	100(102.0)								
	WEJ-100		120(122.4)								
	WOJ-100	Oil Resistant Rubber(Including B)	120(122.4)								
	WJ-100-G	Grey Rubber(Including B)	100(102.0)								
	NRJ-100-G		100(102.0)								
	MCBJ-100	Monomer Cast Nylon(Including B)	180(183.6)								
	UWJ-100	PU(Including B)	100(102.0)								
	GUJ-100		180(183.6)								
	UWEJ-100	Antistatic PU(Including B)	100(102.0)								
PHJ-100	Heat Resistant Phenol	100(102.0)									
130	WJ-130	Rubber(Including B)	180(183.6)	40	177	105x105	82x82(75x75)	11	40	105	
	NRJ-130	Conductive Rubber(Including B)									
	WEJ-130										250(255.0)
	WOJ-130	Oil Resistant Rubber(Including B)									180(183.6)
	WJ-130-G	Grey Rubber(Including B)									250(255.0)
	MCBJ-130										180(183.6)
	UWJ-130	PU(Including B)	35								
	GUJ-130		180(183.6)								
	UWEJ-130	Antistatic PU(Including B)	250(255.0)								
	PHJ-130	Heat Resistant Phenol	180(183.6)								

Wheel Type

Wheel: Steel Tread: Rubber (Including B)	Wheel: Nylon Tread: Rubber (Including B)	Wheel: Aluminum Tread: Rubber (Including B)	Wheel: Steel Tread: Conductive Rubber (Including B)	Wheel: Steel Tread: Oil Resistant Rubber (Including B)	Wheel: Steel Tread: Grey Rubber (Including B)	Wheel: Nylon Tread: Grey Rubber (Including B)	Wheel: Monomer Cast Nylon Tread: Monomer Cast Nylon (Including B)	Wheel: Steel Tread: PU (Including B)